

## C9D-B

### 900mm Six Burner Gas Cooktop Bench Model



C9D-B

- Countertop Bench Model
- 900mm wide
- 6 open burners
- 22MJ open burner rating
- Flame failure standard on open burners
- Optional pilot and flame failure on open burners
- Cast iron burners and vitreous enamel potstands
- Adjustable bench feet
- Stainless steel finish

#### Also Available



C9A-B



C9B-B



C9C-B

#### OVERALL CONSTRUCTION

- Cast iron open burner heads with vitreous enamelled cast iron caps
- Vitreous enamelled potstands
- Vitreous enamelled control panel
- Stainless steel front, sides and splashback
- Stainless steel spill tray
- 63mm dia. stainless steel adjustable bench feet

#### CONTROLS

- Large easy use control knobs
- Variable high to low controls to open burners
- Flame failure standard on open burners
- Optional pilot and flame failure on open burners

#### CLEANING AND SERVICING

- Easy clean stainless steel exterior
- Vitreous enamelled potstands and burner caps
- Lift off open burner caps and removable burners
- Removable spill trays
- Access to all parts from front of unit

#### Matching Products



CW2H



CSP6



CN4



CT9



CW3H



CW1H



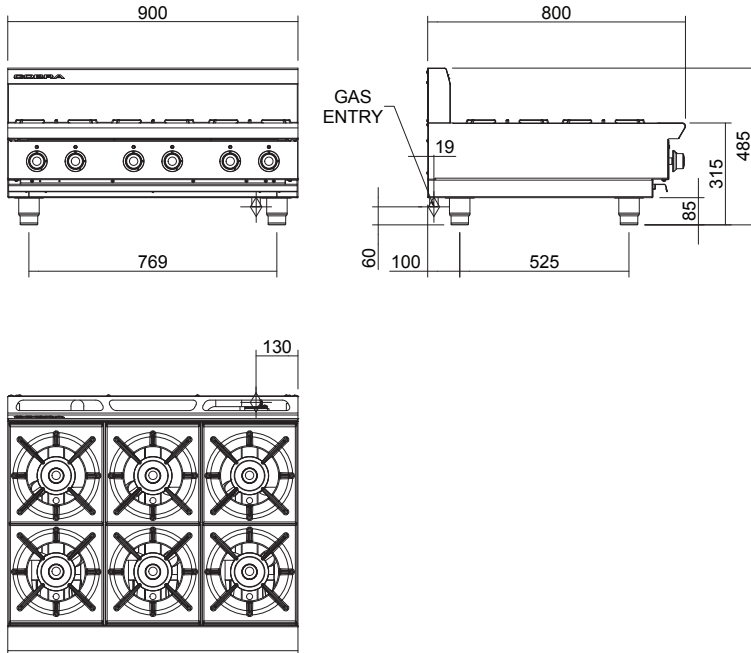
CP4



CS9 / C900-S

## C9D-B

### 900mm Six Burner Gas Cooktop Bench Model



**C9D-B**

#### SPECIFICATIONS

**Burners**  
 Open Burners;  
 22MJ/hr, 5.5kW each

**Gas power (gross)**  
 C9D 132MJ/hr, 36.7kW

**Gas connection**  
 R 3/4 (BSP) male  
 130mm from RH side, 20mm from rear, and 60mm from bench

**Dimensions**  
 Width 900mm  
 Depth 800mm  
 Height 315mm  
 Incl. splashback 485mm

**Nett weight**  
 61.5kg

**Packing data**  
 0.72m<sup>3</sup>, 98kg  
 Width 1010mm  
 Depth 955mm  
 Height 750mm

**Gas types**  
 Available in Natural gas and LP gas,  
 please specify when ordering  
 Other gas types on request

[moffat.com.au](http://moffat.com.au)  
[moffat.co.nz](http://moffat.co.nz)

**Australia**  
[moffat.com.au](http://moffat.com.au)

**Moffat Pty Limited**  
 Victoria/Tasmania  
 740 Springvale Road  
 Mulgrave, Victoria 3170  
 Telephone +613-9518 3888  
 Facsimile +613-9518 3833  
[vsales@moffat.com.au](mailto:vsales@moffat.com.au)

**New South Wales**  
 Telephone +612-8833 4111  
[nswsales@moffat.com.au](mailto:nswsales@moffat.com.au)

**South Australia**  
 Telephone +613-9518 3888  
[vsales@moffat.com.au](mailto:vsales@moffat.com.au)

**Queensland**  
 Telephone +617-3630 8600  
[qldsales@moffat.com.au](mailto:qldsales@moffat.com.au)

**Western Australia**  
 Telephone +618-9413 2400  
[wasales@moffat.com.au](mailto:wasales@moffat.com.au)

**New Zealand**  
[moffat.co.nz](http://moffat.co.nz)

**Moffat Limited**  
 Rolleston  
 45 Illinois Drive  
 Izone Business Hub  
 Rolleston 7675  
 Telephone +64 3-983 6600  
 Facsimile +64 3-983 6660  
[sales@moffat.co.nz](mailto:sales@moffat.co.nz)

**Auckland**  
 Telephone +64 9-574 3150  
[sales@moffat.co.nz](mailto:sales@moffat.co.nz)



Cert. No. AGA 6878G

In line with policy to continually develop and improve its products, Moffat Limited reserves the right to change specifications and design without notice.

© Copyright Moffat Ltd  
 AN.C.01.19 / 1598