

C9A-B

900mm Griddle Gas Cooktop Bench Model



C9A-B

- Countertop Bench Model
- 900mm wide
- 3 griddle burners with pilot, flame failure and piezo ignition
- Machine finished griddle plate 12mm thickness
- Adjustable bench feet
- Stainless steel finish

Also Available



C9B-B



C9C-B



C9D-B

OVERALL CONSTRUCTION

- 12mm machined surface mild steel griddle plate
- Stainless steel front, sides and splashback
- Vitreous enamelled control panel
- Stainless steel spill tray
- 63mm dia. stainless steel adjustable bench feet

CONTROLS

- Large easy use control knobs
- Variable high to low controls to griddle burners
- Standard with pilot, flame failure and piezo ignition

CLEANING AND SERVICING

- Easy clean stainless steel exterior
- Stainless steel grease trays
- Access to all parts from front of unit

Matching Products



CW2H



CSP6



CN4



CT9



CW3H



CW1H



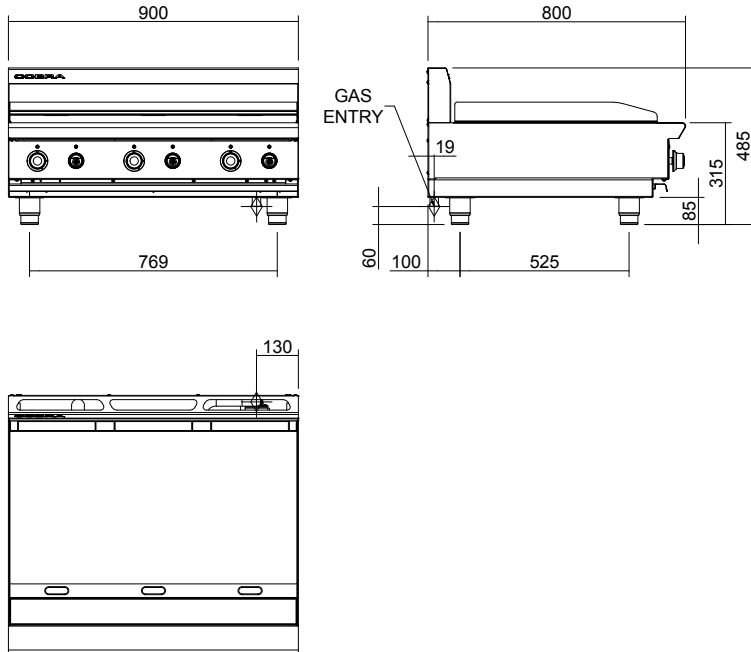
CP4



CS9 / C900-S

C9A-B

900mm Griddle Gas Cooktop Bench Model



C9A-B

SPECIFICATIONS

Burners
Griddle Burners;
20MJ/hr, 5.0kW per 300mm section

Gas power (gross)
C9A 60MJ/hr, 16.7kW

Gas connection
R 3/4 (BSP) male
130mm from RH side, 20mm from rear, and 60mm from bench

Dimensions
Width 900mm
Depth 800mm
Height 315mm
Incl. splashback 485mm

Nett weight
75.5kg

Packing data
0.72m³, 112kg
Width 1010mm
Depth 955mm
Height 750mm

Gas types
Available in Natural gas and LP gas,
please specify when ordering
Other gas types on request

moftat.com.au
moftat.co.nz

Australia
moftat.com.au

Moffat Pty Limited

Victoria/Tasmania
740 Springvale Road
Mulgrave, Victoria 3170
Telephone +613-9518 3888
Facsimile +613-9518 3833
vsales@moffat.com.au

New South Wales
Telephone +612-8833 4111
nswsales@moffat.com.au

South Australia
Telephone +613-9518 3888
vsales@moffat.com.au

Queensland
Telephone +617-3630 8600
qldsals@moffat.com.au

Western Australia
Telephone +618-9413 2400
wasales@moffat.com.au

New Zealand
moftat.co.nz

Moffat Limited

Rolleston
45 Illinois Drive
Izone Business Hub
Rolleston 7675
Telephone +64 3-983 6600
Facsimile +64 3-983 6660
sales@moffat.co.nz

Auckland
Telephone +64 9-574 3150
sales@moffat.co.nz



Cert. No. AGA 6878G

In line with policy to continually develop and improve its products, Moffat Limited reserves the right to change specifications and design without notice.

© Copyright Moffat Ltd
AN.C.01.19 / 1598

an Ali Group Company



The Spirit of Excellence