

## C6C-B

### 600mm Two Burner/Griddle Gas Cooktop Bench Model



C6C-B

- Countertop Bench Model
- 600mm wide
- 2 open burners
- 300mm griddle plate
- 22MJ open burner rating
- Flame failure standard on open burners
- Optional pilot and flame failure on open burners
- Cast iron burners and vitreous enamel potstands
- 1 griddle burner with pilot, flame failure and piezo ignition
- Griddle plate machine finished 12mm thickness
- Adjustable bench feet
- Stainless steel finish

#### Also Available



C6B-B



C6D-B

#### OVERALL CONSTRUCTION

- Cast iron open burner heads with vitreous enamelled cast iron caps
- Vitreous enamelled potstands
- Vitreous enamelled control panel
- 12mm machined surface mild steel griddle plate
- Stainless steel front, sides and splashback
- Stainless steel spill tray
- Griddle sections are standard on RH side only
- 63mm dia. stainless steel adjustable feet

#### CONTROLS

- Large easy use control knobs
- Variable high to low controls to open and griddle burners
- Flame failure standard on open burners
- Optional pilot and flame failure on open burners
- Griddles standard with pilot, flame failure and piezo ignition

#### CLEANING AND SERVICING

- Easy clean stainless steel exterior
- Vitreous enamelled potstands and burner caps
- Lift off open burner caps and removable burners
- Removable spill trays
- Stainless steel grease trays on griddles
- Access to all parts from front of unit

#### Matching Products



CW2H



CSP6



CN4



CT9



CW3H



CW1H



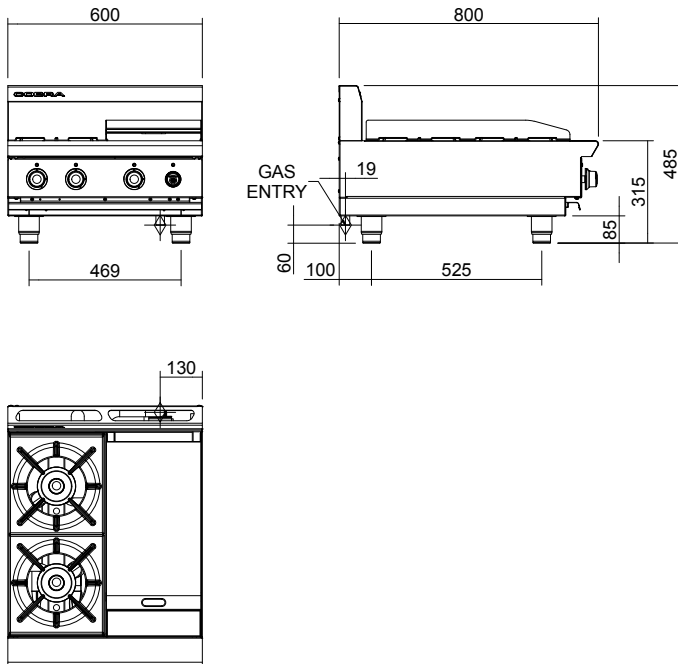
CP4



CS9 / C900-S

## C6C-B

### 600mm Two Burner/Griddle Gas Cooktop Bench Model



C6C-B

#### SPECIFICATIONS

**Burners**  
 Open Burners;  
 22MJ/hr, 5.5kW each  
 Griddle Burners;  
 20MJ/hr, 5.0kW per 300mm section  
**Gas power (gross)**  
 C6C 64MJ/hr, 16kW  
**Gas connection**  
 R 3/4 (BSP) male  
 130mm from RH side, 20mm from rear, and 60mm from bench

**Dimensions**  
 Width 600mm  
 Depth 800mm  
 Height 315mm  
 Incl. splashback 485mm  
**Nett weight**  
 58.5kg

**Packing data**  
 0.51m<sup>3</sup>, 86.5kg  
 Width 710mm  
 Depth 955mm  
 Height 750mm

**Gas types**  
 Available in Natural gas and LP gas,  
 please specify when ordering  
 Other gas types on request

moffat.com.au  
 moffat.co.nz

Australia  
 moffat.com.au

Moffat Pty Limited

Victoria/Tasmania  
 740 Springvale Road  
 Mulgrave, Victoria 3170  
 Telephone +613-9518 3888  
 Facsimile +613-9518 3833  
 vsales@moffat.com.au

New South Wales  
 Telephone +612-8833 4111  
 nswsales@moffat.com.au

South Australia  
 Telephone +613-9518 3888  
 vsales@moffat.com.au

Queensland  
 Telephone +617-3630 8600  
 qldsales@moffat.com.au

Western Australia  
 Telephone +618-9413 2400  
 wasales@moffat.com.au

New Zealand  
 moffat.co.nz

Moffat Limited

Rolleston  
 45 Illinois Drive  
 Izone Business Hub  
 Rolleston 7675  
 Telephone +64 3-983 6600  
 Facsimile +64 3-983 6660  
 sales@moffat.co.nz

Auckland  
 Telephone +64 9-574 3150  
 sales@moffat.co.nz



Cert. No. AGA 6878G

In line with policy to continually develop and improve its products, Moffat Limited reserves the right to change specifications and design without notice.

© Copyright Moffat Ltd  
 AN.C.01.19 / 1598