

C6B-B

600mm Griddle Gas Cooktop Bench Model



C6B-B

- Countertop Bench Model
- 600mm wide
- 2 griddle burners with pilot, flame failure and piezo ignition
- Machine finished griddle plate 12mm thickness
- Adjustable bench feet
- Stainless steel finish

Also Available



C6C-B



C6D-B

OVERALL CONSTRUCTION

- 12mm machined surface mild steel griddle plate
- Stainless steel front, sides and splashback
- Vitreous enamelled control panel
- Stainless steel spill tray
- 63mm dia. stainless steel adjustable bench feet

CONTROLS

- Large easy use control knobs
- Variable high to low controls to griddle burners
- Standard with pilot, flame failure and piezo ignition

CLEANING AND SERVICING

- Easy clean stainless steel exterior
- Stainless steel grease trays
- Access to all parts from front of unit

Matching Products



CW2H



CSP6



CN4



CT9



CW3H



CW1H



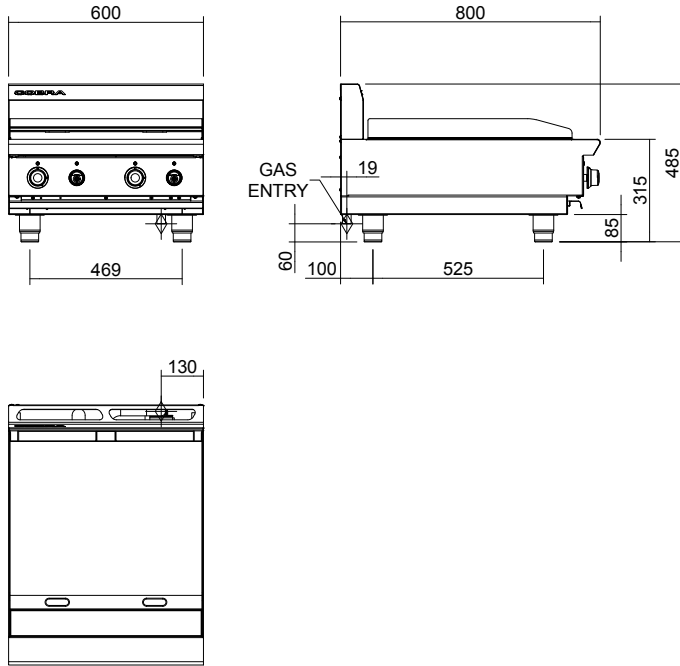
CP4



CS9 / C900-S

C6B-B

600mm Griddle Gas Cooktop Bench Model



C6B-B

SPECIFICATIONS

Burners
Griddle Burners;
20MJ/hr, 5.0kW per 300mm section

Gas power (gross)
C6B 40MJ/hr, 10kW

Gas connection
R 3/4 (BSP) male
130mm from RH side, 20mm from rear, and 60mm from bench

Dimensions
Width 600mm
Depth 800mm
Height 315mm
Incl. splashback 485mm
Nett weight
62.5kg

Packing data
0.51m³, 90.5kg
Width 710mm
Depth 955mm
Height 750mm

Gas types
Available in Natural gas and LP gas,
please specify when ordering
Other gas types on request

moffat.com.au
moffat.co.nz

Australia
moffat.com.au

Moffat Pty Limited
Victoria/Tasmania
740 Springvale Road
Mulgrave, Victoria 3170
Telephone +613-9518 3888
Facsimile +613-9518 3833
vsales@moffat.com.au

New South Wales
Telephone +612-8833 4111
nswsales@moffat.com.au

South Australia
Telephone +613-9518 3888
vsales@moffat.com.au

Queensland
Telephone +617-3630 8600
qldsales@moffat.com.au

Western Australia
Telephone +618-9413 2400
wasaless@moffat.com.au

New Zealand
moffat.co.nz

Moffat Limited
Rolleston
45 Illinois Drive
Izone Business Hub
Rolleston 7675
Telephone +64 3-983 6600
Facsimile +64 3-983 6660
sales@moffat.co.nz

Auckland
Telephone +64 9-574 3150
sales@moffat.co.nz



ISO9001
Quality
Management
Standard



Cert. No. 6878G

In line with policy to continually develop and improve its products, Moffat Limited reserves the right to change specifications and design without notice.

© Copyright Moffat Ltd
AN.C.01.19 / 1598